

## P240 Series Foam Concentrate Pump

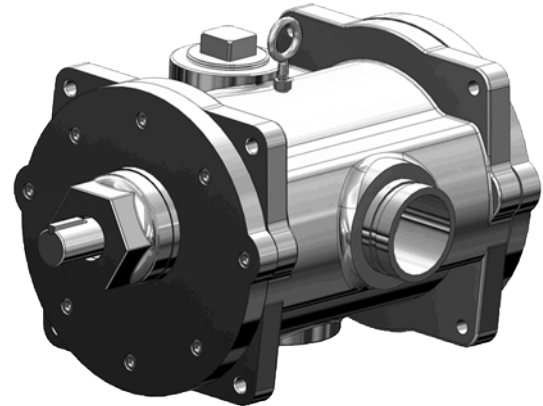
### Description

CHEMGUARD foam concentrate pumps are constructed of corrosion resistant brass and stainless steel, and are designed for use with all types of fire fighting foam concentrates.

The pumps are Listed by Underwriters Laboratories as meeting the stringent requirements of "UL 448C, the Standard for Stationary, Rotary-Type, Positive-Displacement Pumps for Fire Protection Service", and Factory Mutual Listed class 1313 and are furnished complete with pressure relief valves which also meet the requirements of these standards.

### Features

- Single shaft seal as opposed to dual.
- Internal rotary gear pump
- Fewer moving parts reduces maintenance & wear.
- Integral relief valve port on all pump sizes to simplify installations allowing return to tank operation capability.
- Shaft lip seal is mounted in removable gland for ease of replacement without major pump disassembly.
- Electric motor and diesel engine drives available.
- UL and FM tested for liquids ranging from water up to 4600 cps.
- No special material changes for using fluoroprotein concentrates.
- Pump shafts are supported by multiple Carbon-Graphite and/or Graphaloy bushings eliminating the possibility that failure of one ball bearing will result in complete pump failure.
- To meet UL & FM Listings, pumps must be shipped to include drive motor (electric or diesel), listed controller and PRV along with certificates of flow and pressure testing.



### Ordering Information

Model No.	Description
CGP240-160	36 to 143 gpm (136 to 541 L/min)
CGP240-180	56 to 165 gpm (212 to 624 L/min)
CGP240-240	96 to 224 gpm (363 to 848 L/min)

## Performance Table

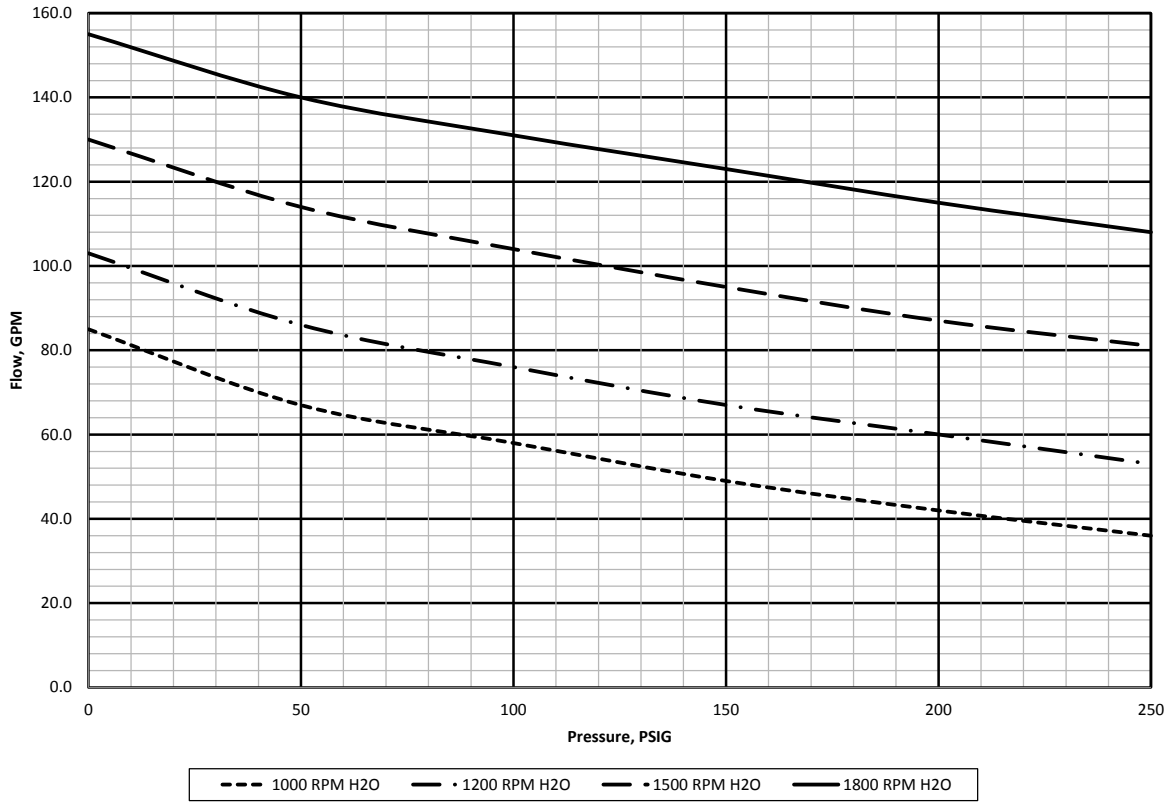
Model No.	Capacity Range gpm (lpm)	Port Size FNPT/300 Lb. FLG	Rated Speed rpm	Pressure Range psi (bar)	Max Working Pressure psi (bar)	Input Power Range, hp (kW)	Pressure Relief Valve Size, Inlet x Outlet
CGP240-160	36 to 70 (136 to 265)	3" (76.2 mm)	1000	40–250 (2.8–17.2)	350 (24)	3.4 to 19.0 (3.7 to 14.1)	1-1/4" x 2" (31.75 mm x 50.8 mm)
CGP240-160	53 to 89 (201 to 337)	3" (76.2 mm)	1200	40–250 (2.8–17.2)	350 (24)	4.4 to 22.6 (3.3 to 16.9)	1-1/4" x 2" (31.75 mm x 50.8 mm)
CGP240-160	81 to 117 (306 to 443)	3" (76.2 mm)	1500	40–250 (2.8–17.2)	350 (24)	6.3 to 26.9 (4.7 to 20.1)	1-1/4" x 2" (31.75 mm x 50.8 mm)
CGP240-160	108 to 143 (408 to 541)	3" (76.2 mm)	1800	40–250 (2.8–17.2)	350 (24)	8.5 to 32.5 (6.3 to 24.2)	1-1/4" x 2" (31.75 mm x 50.8 mm)
CGP240-180	56 to 90 (212 to 341)	3" (76.2 mm)	1000	40–250 (2.8–17.2)	350 (24)	4.9 to 18.8 (3.7 to 14.1)	1-1/4" x 2" (31.75 mm x 50.8 mm)
CGP240-180	77 to 105 (291 to 397)	3" (76.2 mm)	1200	40–250 (2.8–17.2)	350 (24)	6.5 to 24.7 (4.9 to 18.5)	1-1/4" x 2" (31.75 mm x 50.8 mm)
CGP240-180	107 to 136 (405 to 515)	3" (76.2 mm)	1500	40–250 (2.8–17.2)	350 (24)	8.4 to 31.4 (6.3 to 23.5)	1-1/4" x 2" (31.75 mm x 50.8 mm)
CGP240-180	138 to 165 (522 to 624)	3" (76.2 mm)	1800	40–250 (2.8–17.2)	350 (24)	11.2 to 38.2 (8.4 to 28.7)	1-1/4" x 2" (31.75 mm x 50.8 mm)
CGP240-240	96 to 128 (363 to 484)	3" (76.2 mm)	1000	40–250 (2.8–17.2)	350 (24)	6.0 to 22.8 (4.5 to 17.1)	1-1/4" x 2" (31.75 mm x 50.8 mm)
CGP240-240	116 to 147 (439 to 556)	3" (76.2 mm)	1200	40–250 (2.8–17.2)	350 (24)	7.7 to 29.9 (5.8 to 22.4)	1-1/4" x 2" (31.75 mm x 50.8 mm)
CGP240-240	149 to 187 (564 to 708)	3" (76.2 mm)	1500	40–250 (2.8–17.2)	350 (24)	11.0 to 37.9 (8.3 to 28.4)	1-1/4" x 2" (31.75 mm x 50.8 mm)
CGP240-240	196 to 224 (742 to 848)	3" (76.2 mm)	1800	40–250 (2.8–17.2)	350 (24)	16.9 to 47.3 (12.7 to 35.5)	1-1/4" x 2" (31.75 mm x 50.8 mm)

### NOTE:

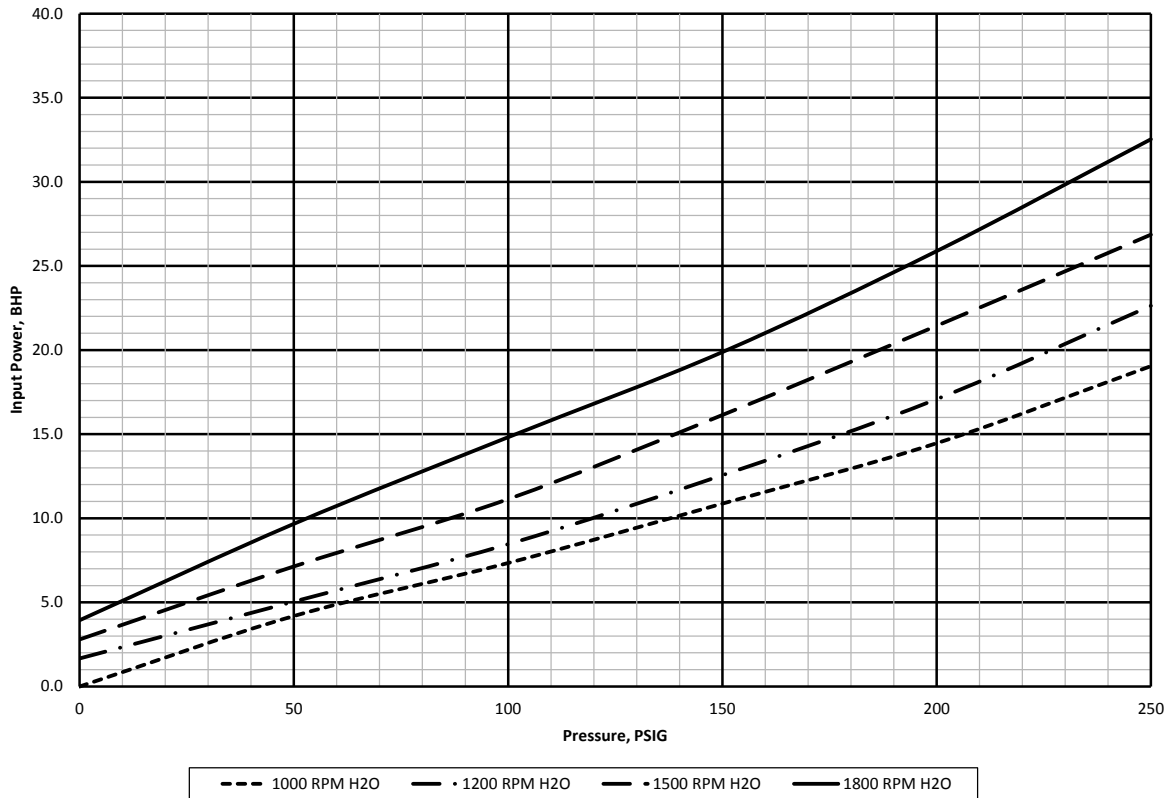
- Actual Speed will vary and is determined by specific driver used.
- See individual Pump curves for application flow rates and horsepower requirements.
- Maximum pressure includes suction pressure when applicable.
- To meet NFPA foam additive requirements, a positive head liquid supply is required on the suction side of the pump.
- To properly size pumps, add 10% to calculated flow. The horsepower must be 15% over required.
- The Pressure Relief Valve must be piped separately to return to tank with no isolation valves using the full outlet size of the PRV as indicated.

# Performance Curves with Water

## Model CGP240-160 Flow

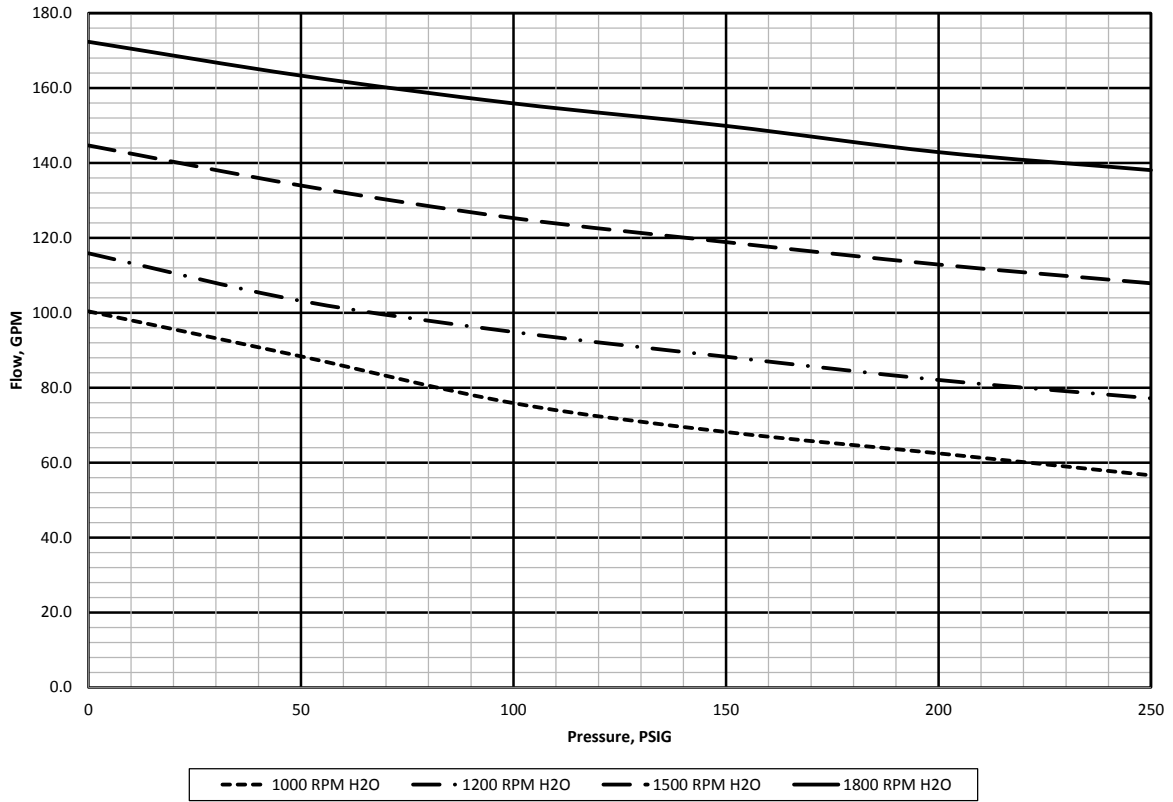


## Model CGP240-160 Input Power

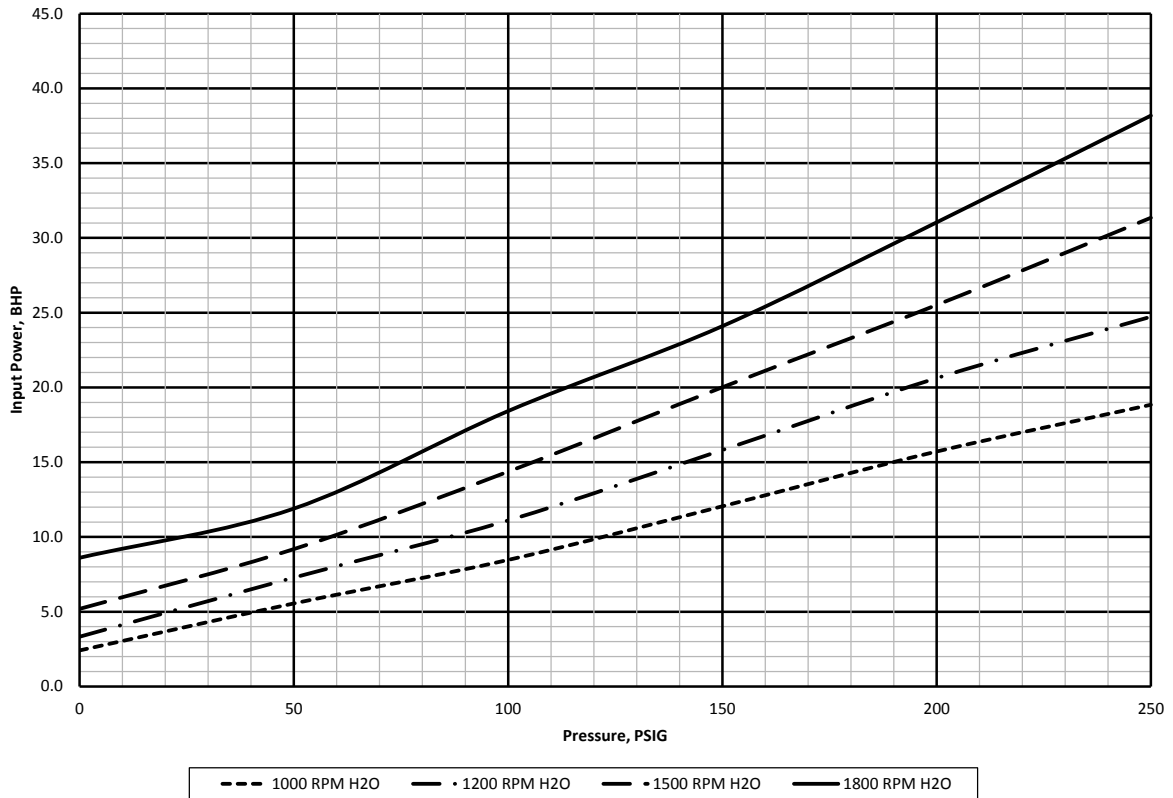


# Performance Curves with Water

## Model CGP240-180 Flow

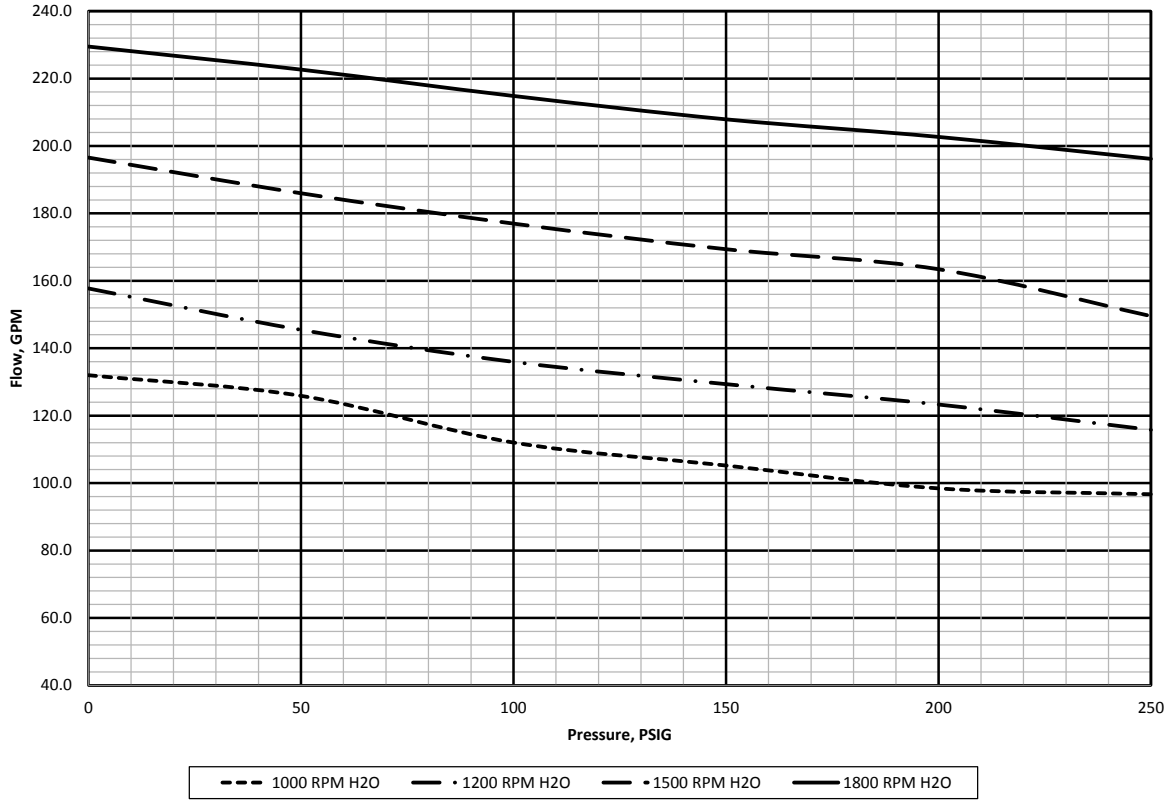


## Model CGP240-180 Input Power



# Performance Curves with Water

## Model CGP240-240 Flow



## Model CGP240-240 Input Power

